

DOMS TELECENTRIC excite

The DOMS TELECENTRIC excite meets the high quality standards imposed by the DOMS philosophy:

- Solid construction
- Components of best quality
- Precise processing – down to the last detail
- Ergonomic design with useful functional characteristics

Distinctive design and fresh trendy colours!
This is the DOMS TELECENTRIC excite



The future belongs to products which are not only functional, but whose mere handling is an excitement.

Designing matured technology and know how in a modern way, this is the focus of the latest product conception by doms eye-technology. This is realized by linear design and dimensions absolutely reduced to an acceptable minimum.

DOMS TELECENTRIC excite – the further development of the classic DOMS TELECENTRIC is the professional sliding table unit by DOMS EYE-TECHNOLOGY – a system solution reducing your work load considerably.

Annexe desk, 1600x800mm, rounded S-design
Standard size desktop or individual design incorporating customer's wishes
Extensive colour selection according to RAL colour card, also Multiplex „beech“ or real wood veneer. For maximum workload with minimal maintenance there are mineral substances (Natural Acrylic Stone) of well known manufacturers.

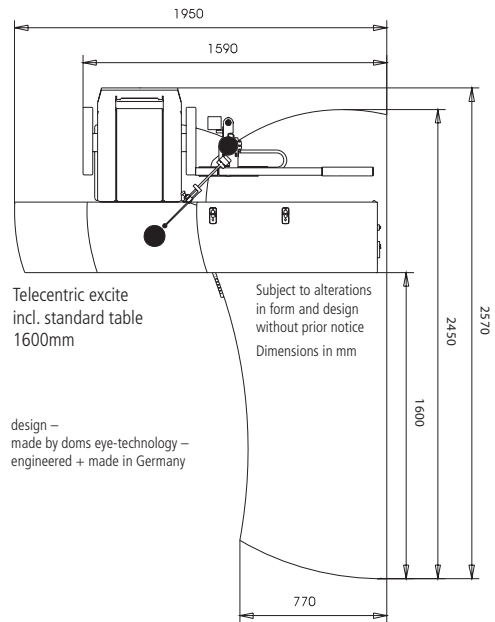
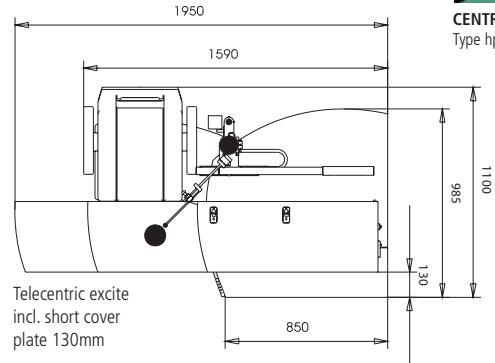
Patient chair CENTRIC excite

Electromotive height control, timeless classic design, high backrest, neck pad (head rest) adjustable via integrated holding magnets. Optional: Tilttable backrest, manual or electromotive seat adjustment, armrest pivotable backwards, foot rest and calf pad pivotable upwards, upper part of chair turnable 360° with detent at 45° and each 90°, durable elastic quality synthetic leather SKAI by Hornschuch in attractive colours appropriate for wiping disinfection.



CENTRIC excite
Type hp (chair shifting)

CENTRIC excite
Calf pad pivotable upwards (moving upwards synchronically with inclined backrest) and foot rest with foldable tread



design –
made by doms eye-technology –
engineered + made in Germany



Medical Device Directory / product class: 1
Certified according to
Quality Management System DIN EN ISO 9001:2000

Technical Data:

DOMS TELECENTRIC excite
incl. 2-instruments sliding table
Height: 1750 mm (w/o chart projector / LCD screen)
Length: 2570 mm
Width: 1560 mm
1950 mm (2-instruments table moved into position 2)

Height of instruments table: 860mm

Patient chair Centric excite
Minimal height of seat: 470 mm*
Maximal height of seat: 670 mm*
Lifting power: 1500 N
Connection voltage: 230V / 50Hz
Power: 1000 VA
Voltage supply (table instruments):
Low voltage: 6V / 12V
Non-heating connector: 230V/W5
Protection (unit): IP 20 / Class: I

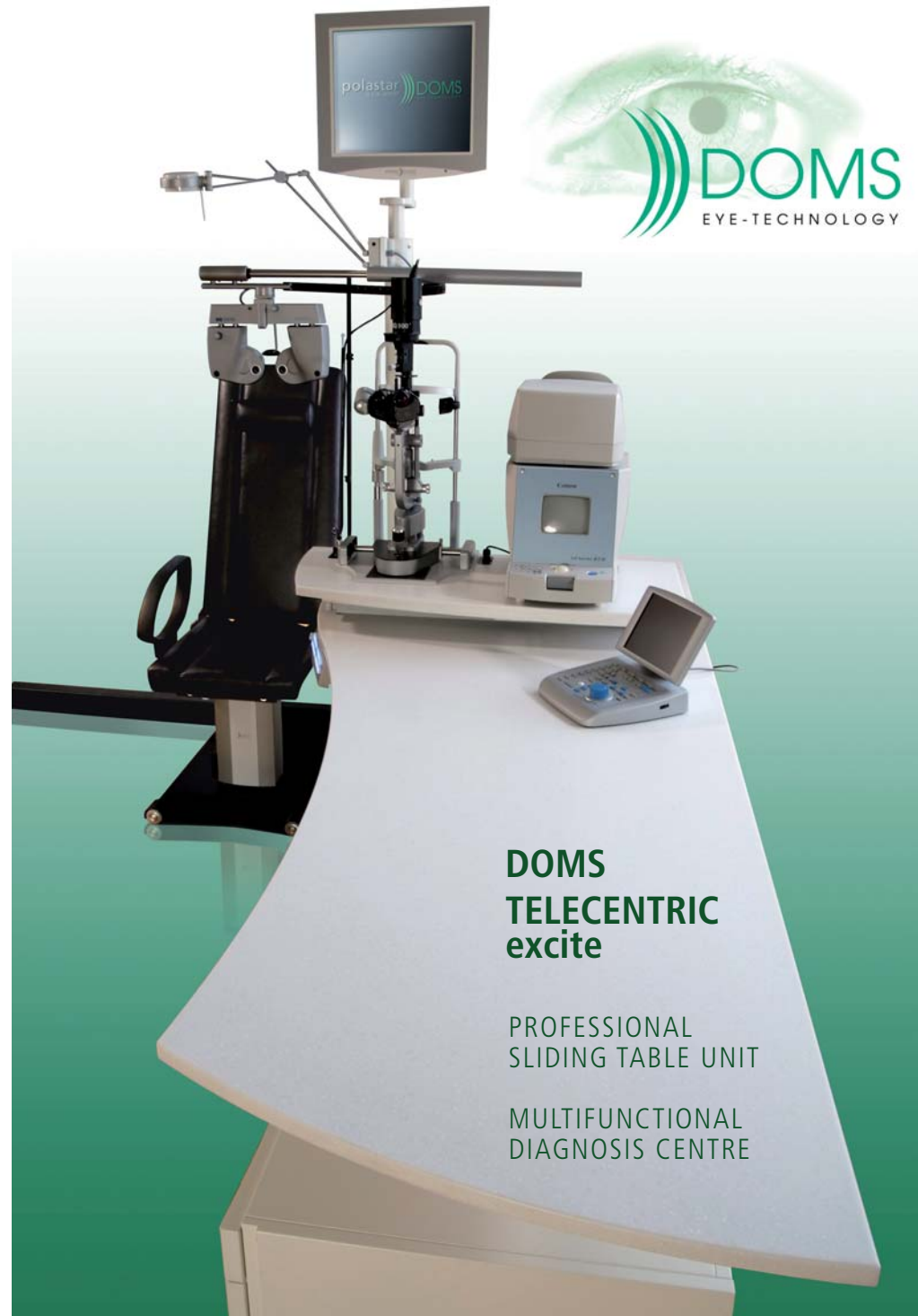
(*height of patient chair incl. seat upholstery Centric excite)

Distributor:

DOMS EYE-TECHNOLOGY GmbH & Co. KG

Carl-Zeiss-Strasse 5 D-07318 Saalfeld
Fon: +49 (0) 3671/5450-0 Fax: +49 (0) 3671/5450-20

info@doms.eu www.doms.eu



**DOMS
TELECENTRIC
excite**

PROFESSIONAL
SLIDING TABLE UNIT

MULTIFUNCTIONAL
DIAGNOSIS CENTRE

Edition 03/10