

500 XLE

comfort



**ULTRA PLUSH 500 XLE DESIGNED
FOR SUPERIOR COMFORT -
OUR POPULAR MODEL GETS
AN ALL NEW LOOK**

- Equipped like the 500XLE (Page 18-19)
- Comfort-upholstery, in standard anthracite/chrome color, provides enhanced cushioning and support; includes integrated knee roll



Comfort-upholstery

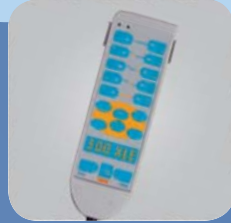
Designed for maximum comfort and durability; available in a variety of colors



BATTERY
POWERED 



Multifunctional hand control with four custom programmable memory positions and auto-run function.



Four premium double-wheel casters provide perfectly balanced stability and exceptional handling characteristics.



Sturdy, lightweight, chassis is coated with zinc and finished in an elegant black matt. Durable, high-gloss cover panels are scratch-resistant and made with PMMA.



Precision-crafted head and foot-end push handles enable the perfect grip and maximum leverage when moving the chair.



Stainless steel, accessory support system offers greatly enhanced functionality; left and right side extendable.



The versatile, integrated knee-roll can be easily repositioned for patients of different sizes



Upholstery Advantages

- Comfortable
- Hygienic
- Anti-bacterial
- Low maintenance
- Low flammability
- Waterproof
- Mould resistant

Premium, glue less, seamless and germ resistant upholstery made from the finest materials

For more colors go to page 61, or choose your color online at www.ufsk-osys.com

Printed color may differ slightly from the original colors.

195

197

196

581

354

542

455

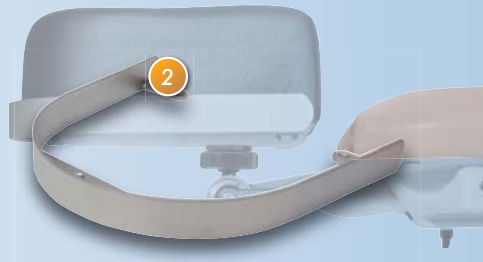
495

205

288

500 XLE

500 XLE comfort ACCESSORIES



1) **DRAPE SUPPORT** - flexible, without/with oxygen connectionNo. 2050/2060

2) **SHOCK ABSORBER** - protects headrest against damage, stainless steel No. 0280

3) **HAND CONTROL HOLDER** - holds, secures and protects No. 0390

4) **BACKUP BATTERY** - quick-change battery minimizes downtime No. 0470

5) **SIDE RAILS** - upholstered, factory mounting on seat base, 34x25cm, pairNo. 1010

6) **HAND SUPPORT RING** with mounting plate, height adjustable rest for surgeon's wrists, lockable, upholstered, stainless steel . . . No. 0140

7) **STAYCLEAN** surgical chair covers - 200x73cm, box with 150 pieces No. 0340

8) **PADDED ARM BOARD** with cardan joint, useful for plastic surgery and anesthesia, stainless steel, includes arm straps . . . No. 0780

9) **I.V. POLE** - stainless-steel 25/18 mm, one-hand height adjustable, 4 hooks max. 2kg/4.4lbs)/(clamp not included) No. 0680



500 XLE
500 XLE comfort



Specifications

Chassis

Frame profile	90 x 50 mm
Outside length	805 mm
Outside width	605 mm
Zinc undercoat, elegant black matte finish	
Central brake on both sides, working on four wheels. The direction of two wheels can be independently adjusted.	
Double rimmed casters	ø125 mm
Detachable foot control (total up/down, head up/down)	
Emergency stop	
Visible screws are stainless steel	

Lifting Column

Head part

Power: 1,500 N	Lifting: 29 mm	Length: 397 mm
----------------	----------------	----------------

Back part

Power: 4,000 N	Lifting: 168 mm	Length: 336 mm
----------------	-----------------	----------------

Seat part

Power: 1,500 N	Lifting: 202 mm	Length: 395 mm
----------------	-----------------	----------------

Leg part

Power: 1,500 N	Lifting: 100 mm	Length: 345 mm
----------------	-----------------	----------------

Height adjustment

Power: 4,000 N	Lifting: 300 mm	Length: 467 mm
Motors IPX 4 with reed contacts, to be memorized		

Upper Frame

4-part support frame (head, back, seat, foot)	
Length	1,870-1,950 mm
Width	610 mm
Height adjustment range	580-880 mm
Removeable upholstery	
Tundra skai colors see color chart	

Electronic Control

All components according to IPX4
Hand control with 4 individually programmable memory positions
Auto-run function
Reset button

Battery unit

Independent battery box	2x 12V 7.2 Ah
As back-up-system exchangeable without tools	
Power supply	230V (110V)/24V, 20VA, 830mAh

Acoustic low voltage signal for discharge protection

Operating Timer Per Battery Charge

measured by operating circle (Prepare-Operate-Recover)	300Ps
-quantity of operating circles depends on individual operation-	

Electromotive Drives

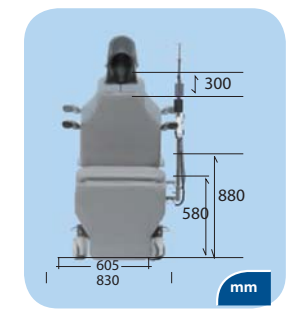
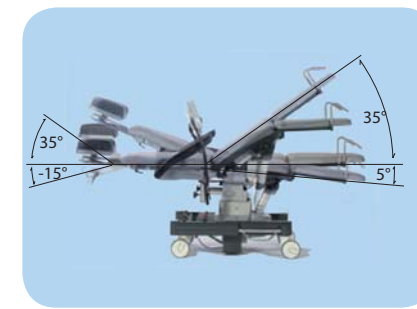
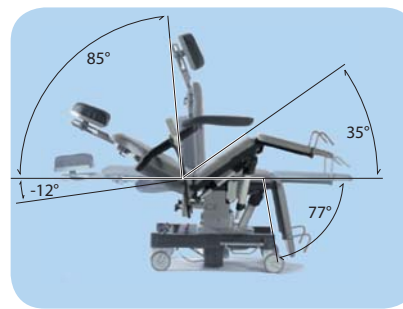
Head, back, seat, foot, total up/down
Trendelenburg/Reverse Trendelenburg

Further Technical Details

Chair has detachable, swiveling armrests made completely with PU foam
All touchable metal parts are grounded
Detachable seat for service friendly access to electric components

Max. Load 250 kg / 550 lb

Weight 135 kg / 297 lb



500 XLE